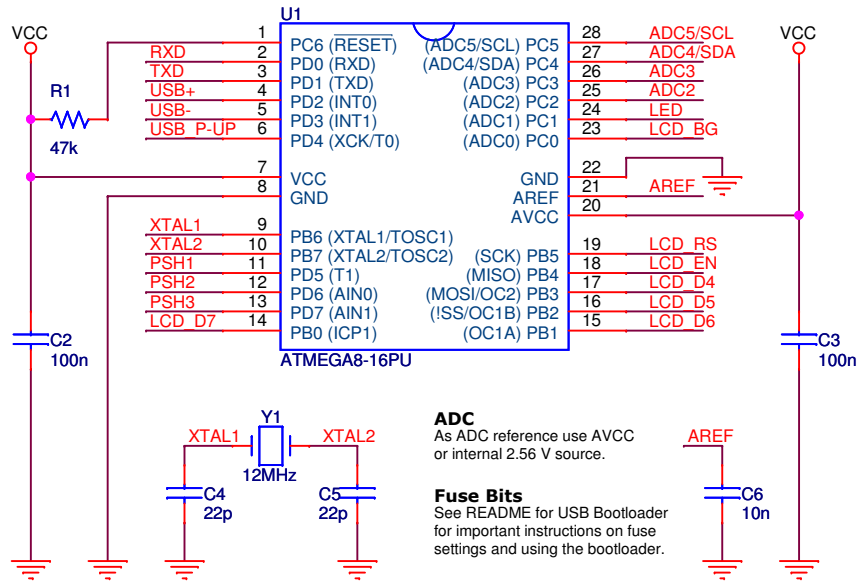


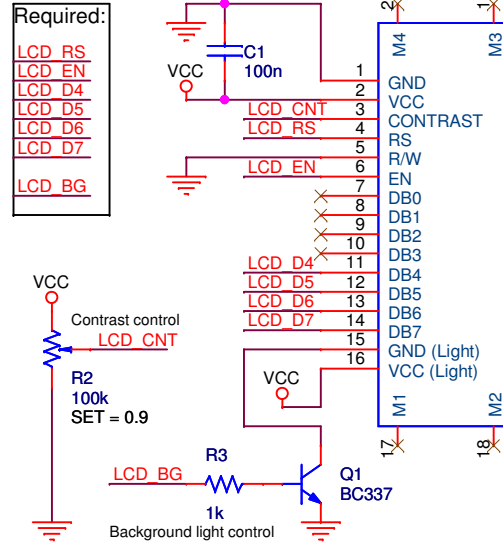
# AVRUSBboard

## ATmega8-16PU/ATmega168-20PU



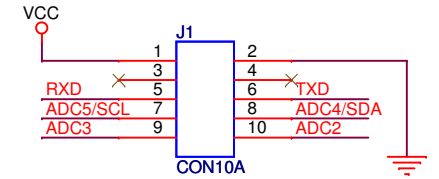
## LCD

Has 4 mount holes of Ø2.5 mm:  
M1-4 (pins 17-20)



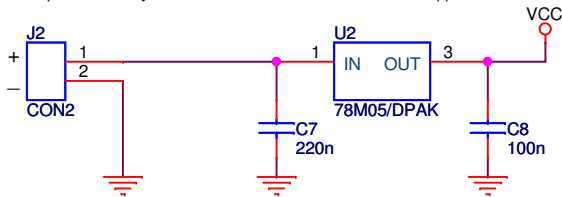
## I/O

UART + TWI (I2C) + ADC or normal I/O pins



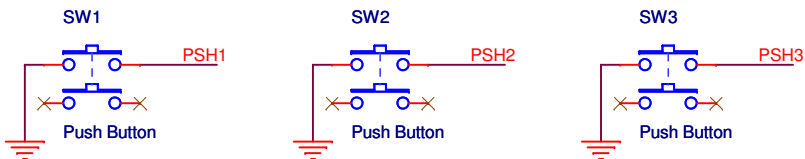
## Power Supply (External)

Input: 6-30 V DC. Use e.g. 6LR61 (9 V battery) or laboratory supply.  
NB: The board can be powered solely from USB and then this block could be skipped.



## Push Buttons

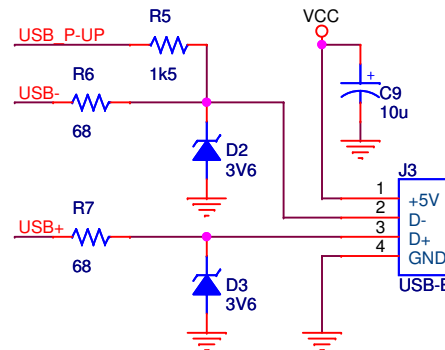
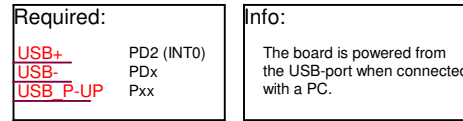
Remember to enable internal pull-up resistor for inputs by:  
PORTD = (1 << PD7)|(1 << PD6)|(1 << PD5);



## USB Communication + Prog.

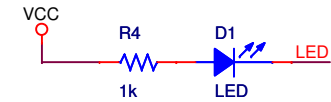
<http://www.obdev.at/products/vusb/>  
<http://www.obdev.at/products/vusb/bootloadhid.html>  
<http://vusb.wikidot.com/project:hidbootflash>

Use push button to enable bootloader by depressing on power-up.



## LED

Used to e.g. indicate when bootloader is entered.



Title		
AVRUSBboard - C. Dünweber [ <a href="http://www.dunweber.com">http://www.dunweber.com</a> ] - 2010		
Size	Document Number	Rev
A4	1/1	1.0
Date:	Saturday, November 27, 2010	Sheet 1 of 1